

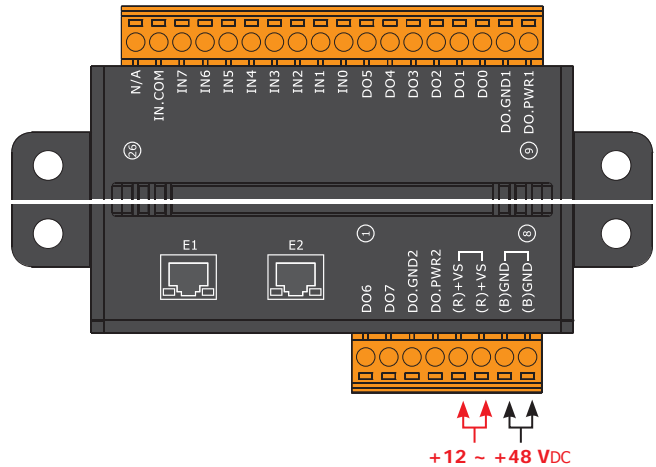


# Fiche technique

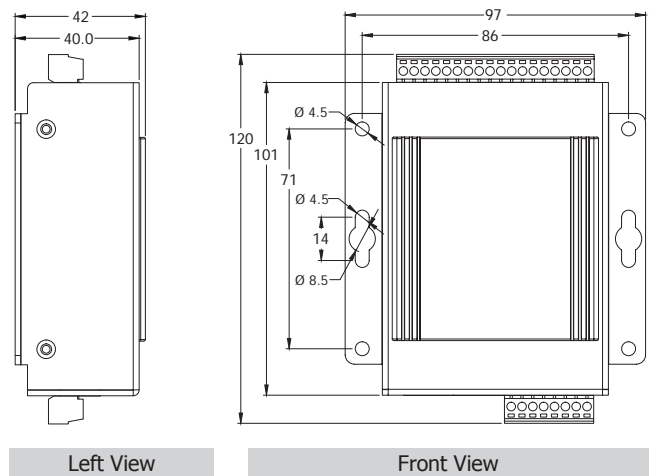
## I/O Specifications

Model	MQ-7244M
<b>Digital Input</b>	
Channels	8
Contact	Wet
Sink/Source (NPN/PNP)	Sink/Source
ON Voltage Level	+10 VDC ~ +50 VDC
OFF Voltage Level	+4 VDC Max.
Input Impedance	10 kΩ
Overvoltage Protection	+70 VDC
<b>Digital Output</b>	
Channels	8
Type	Isolated Open Collector
Sink/Source (NPN/PNP)	Sink
Max. Load Current	650 mA/channel at 25°C Direct Drive Power Relay Module
Load Voltage	3.5 VDC ~ 50 VDC
Overvoltage Protection	60 VDC
Overload Protection	1.4 A
Short-circuit Protection	Yes
Power-on Value	Yes, Configurable
Safe Value	Yes, Configurable

## Pin Assignments



## Dimensions (Units: mm)



## Wire Connections

Digital Input	Readback as 1	Readback as 0
Sink	+10 ~ +50 VDC 	OPEN or <4 VDC 
	+10 ~ +50 VDC 	OPEN or <4 VDC 

Output Type	ON State Readback as 1	OFF State Readback as 0
Drive Relay		
Resistance Load		

## Ordering Information

MQ-7244M CR	MQTT I/O Module with 2-port Ethernet Switch, with 8-ch DI and 8-ch DO (RoHS)
-------------	--