

Senses 1110

Features



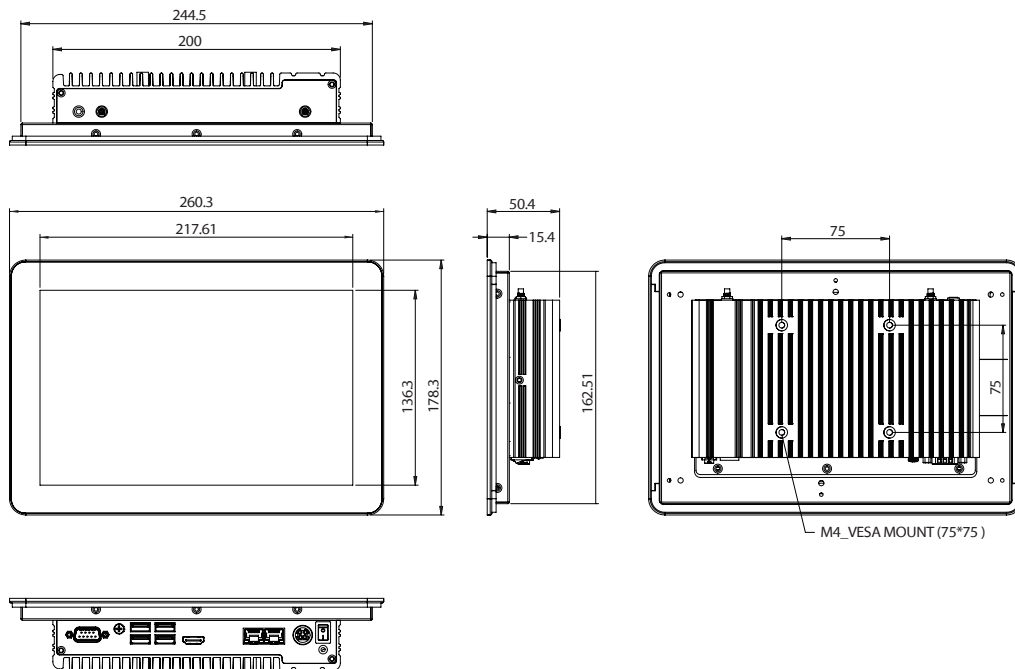
The Senses 1110 is a fanless Industrial Panel PC utilising the Intel's superb Tiger lake processor and provides a 10.1" TFT LCD touchscreen and an IP65 rated front panel.

Features:

- Projective Capacitive front panel
- P65 Front panel
- VESA/Wall/Panel mountable
- Optional Wi-Fi

Each Industrial Panel PC comes with a 2 year warranty.

Dimensions



Senses 1110

Specifications

The information is believed to be accurate. However Amplicon Liveline Limited accepts no responsibility for any problems caused by errors and omissions. Specifications are subject to change without notice.

Hardware specification	<p>Onboard 11th Generation Intel® Core™ i3-1115G4E processor, dual core, 2.2 GHz base frequency, 6M cache (formerly Tiger Lake-UP3) Intel® UHD graphics 630 on i3 processor</p> <p>Onboard 11th Generation Intel® Core™ i5-1145G7E processor, dual core, 1.5 GHz base frequency, 8M cache Intel® Iris® Xe graphics on i5 processor (by request)</p> <p>Main Memory: 4GB DDR4 2133MHz (max 32GB)</p> <p>Video: Intel® UHD graphics 630 on i3 processor Intel® Iris® Xe graphics on i5 processor</p> <p>LAN: Dual GbE Intel Ethernet controllers (Optional WLAN)</p>	Mechanical	<p>Shock - IEC 60068-2-27 - 50g peak acceleration (11 msec. duration)</p> <p>System: 240.3mm x 178.3mm x 50.4mm System weight: 2.0 kg</p> <p>Package: 335mm x 302mm x 160mm Package weight: 3 kg</p>
BIOS	AMI	Environmental	<p>Temperature: Operating: 0°C to 50°C Storage: -20°C to 60°</p> <p>Operating humidity: 10% to 90% relative humidity, non-condensing limits to be at 90%</p>
Storage	1 x M.2 2280 Key M, support PCIe x4	Power supply	1 x External 60W AC/DC power adapter with lock (power adapter is included in accessory) Input: 100VAC to 240VAC Output: DC+12VDC
Display	Display type: 10.1" TFT LCD Resolution (16:10): 1280 x 800 Brightness (cd/m): 400nits	Certification	CE / UKCA
System expansion	1 x M.2 2230 Key E, support optional Wi-Fi modules		
Supported OS (Operating System)	Windows 10 IoT 64-bit Linux (If your desired operating system is not listed, please contact us.)		
External Interfaces	2 x Antenna hole 1 x RS232/422/485 2 x RJ45 Intel® Gigabit LAN port 1 x HDMI 2.0 4 x USB 3.0 1 x Line out 1 x 12VDC jack		
LEDs and switches (bottom)	LED for power on/off Power switch		