

KwikDraw-A 20HR

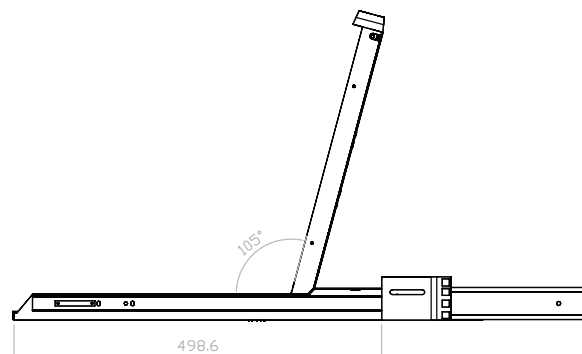
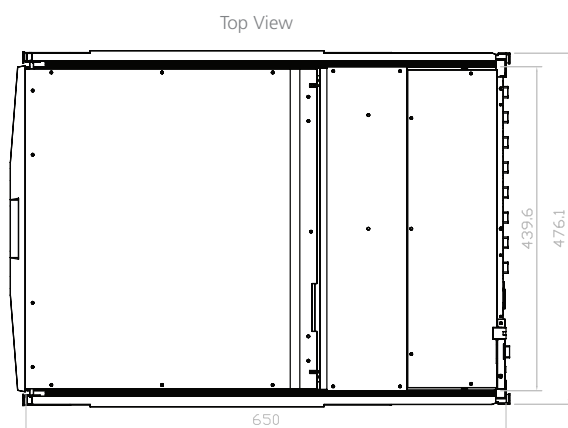
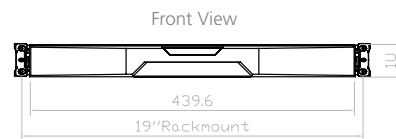
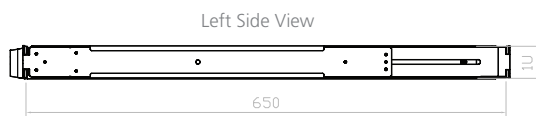


Features

Key features:-

- 1U 20" LCD console drawer
- Ultra high resolution 1600 x 1200
- 104-key keyboard with touchpad
- Enhanced aesthetics with moulded front handle and two point lock

Dimensions



Unit : mm

Sales: +44 (0) 1273 570 220 Admin: +44 (0) 1273 608 331 Fax: +44 (0) 1273 570 215 Website: www.amplicon.com Email: sales@amplicon.com

KwikDraw-A 20HR

Specifications

The information is believed to be accurate. However Amplicon Liveline Limited accepts no responsibility for any problems caused by errors and omissions. Specifications are subject to change without notice.

LCD Panel	Size (diagonal): 20.4" TFT Max resolution: 1600 x 1200 Brightness (cd/m ²): 300 Backlight: CCFL Colours: 16.7 M Contrast ratio (typ): 800 : 1 Viewing angle (H/V): 178° x 178° Active area (mm): 408 x 306 MTBF (hrs): 45,000 Signal input: DVI-D	Regulatory	Safety: FCC & CE certified Environmental: RoHS2 & REACH compliant	
	Casing Colour	Black (RAL 9005)	Power	Input: Auto-sensing 100 to 240VAC, 50 / 60Hz Consumption: Max. 48 Watt, Standby 5 Watt
	Weight	Net: 14.5kgs (31.9lbs) Gross: 22kgs (48.4lbs)	Environmental	Operating: 0 to 50°C Storage: -5 to 60°C Relative humidity: 5~90%, non-condensing Shock: 10G acceleration (11ms duration) Vibration: 5~500Hz 1G RMS random vibration
	Dimensions (W x D x H)	Product: 439.6 x 650 x 44 mm (17.3 x 25.6 x 1.73 in) Packing: 595 x 860 x 140 mm (23.4 x 33.9 x 5.5 in)		

Sales: +44 (0) 1273 570 220 Admin: +44 (0) 1273 608 331 Fax: +44 (0) 1273 570 215 Website: www.amplicon.com Email: sales@amplicon.com