

Impact-S 4400



Features

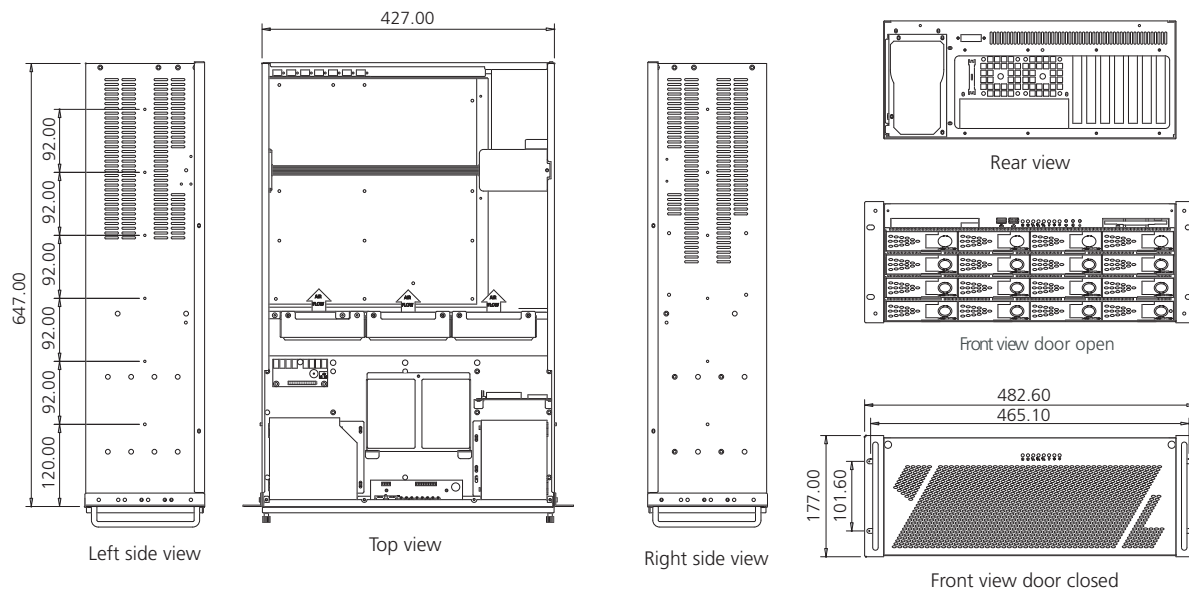
The **Impact Server 4000** is a high-quality and high-reliability storage platform designed for professional IP CCTV and IP surveillance applications. This model provides 16 removable 3.5" drive bays and has flexible RAID capability.

The Impact Server 4000 was developed in partnership with the technical experts at Milestone - a market-leading IP surveillance software manufacturer - to give you peace of mind that this product will perform in any critical IP surveillance application.

High quality components, single or dual Xeon options, redundant power supply and on-site warranty provide all the options required by OEMs and integrators working in the CCTV market.

With over 15 years experience of building high-reliability PC/ server systems, Amplicon are also able to custom design server platforms for DVR & NVR applications.

Dimensions



Configuration shown is for illustration purposes only

Impact-S 4400

Specifications

The information is believed to be accurate. However Amplicon Liveline Limited accepts no responsibility for any problems caused by errors and omissions. Specifications are subject to change without notice.

Hardware specification	CPU: Intel® Xeon™ E5-2630V4 2.2GHz 25MB cache (will house dual CPU) Chipset: Intel® C612 Main memory: Up to 1TB ECC DDR4 2400MHz (8-slots) Video: ASPEED AST2400 BMC LAN: Dual Intel® i210, RTL8211E IPMI	Electromagnetic compatibility (EMC)	EN55032 Class A EN55024 Industrial severity (where applicable)
Disk capacity ¹	16 x 3.5" RAID Edition drives Configured as RAID 0, 1, 5, 10, 50, JBOD		Electrostatic discharge immunity test (EN61000-4-2) ±4kV Contact, applied to enclosure port ±8kV Air, applied to enclosure port ±4kV Indirect, applied to coupling plane
Hardware monitor	Independant thermal and fan speed monitoring hardware		Radiated, radio-frequency, electromagnetic field immunity test (EN61000-4-3) 80-1000MHz, 10 V/m (RMS, no modulation) 80% Modulation with 1kHz Sine wave
System expansion ²	3 PCI-E 3.0 x8 1 PCI-E 3.0 x16 1 PCI-E 3.0 x4 (in x8) 1 PCI-E 2.0 x4 (in x8)		Electrical fast transient/burst immunity test (EN61000-4-4) Power port AC, inc. protective earth Severity ±1kV
Supported OS (Operating System)	Microsoft Server 2012R2, Server 2016, RHEL If your desired operating system is not listed, please contact us		Surge Immunity test (EN61000-4-5) Power port AC Severity ±1kV applied line to line Severity ±2kV applied line to earth
LEDs and switches	Front: Power (PC ON) LED Hard disk access LED LAN activity x 2 Drive caddy HDD activity and power LED x 16 System monitor x 2 LED and single alarm reset switch ATX system control switch, system reset Rear: System ON/OFF power switch x 3 (x 1 per module)		Immunity to conducted disturbances induced by radio frequency fields (EN61000-4-6) Power port AC, inc. protective earth via CDN M3 0.15-80MHz, 10 V/m (no modulation) 80% Modulation with 1kHz Sine wave, applied via CDN type M3
External interfaces	2 x RJ45 Dual GbE 1 x RJ45 IPMI 1 x VGA 2 x USB 3.0 Type-A, 2 x USB 2.0 Type-A 1 x DB9 Serial	Voltage dips, short interrupts and voltages variations immunity tests (EN61000-4-11) Power port AC >95% Reduction, 0.5 Periods >30% Reduction, 25 Periods >95% Reduction, 250 Periods	
Mechanical	Design: EIA RS-310C 19" Rackmount Standard Construction: Heavy duty cold rolled electroplated steel Colour: Black (custom colours available for large orders) Dimensions: 483 (W) x 177 (H) x 650 (D) mm (19.0" x 7.0" x 25.6") Packaging size: 854 (W) x 336 (H) x 576 (D) mm (33.6" x 13.2" x 22.7") Total drive capacity: 1 x Slim DVDROM, 2 x 2.5" internal, 1 x 2.5" Slim FDD, 16 x 3.5" hot-swap SATA/SAS bays Cooling : Industrial fans 3 x 120mm (90 CFM each) mid-chassis, 2 x 60mm (23.5CFM) rear Gross weight: approximately 40kg (fully populated)	Voltage dips, short interrupts and voltages variations immunity tests (EN61000-6-2) Power port AC >30% Reduction, 0.5 Periods >60% Reduction, 25 Periods >100% Reduction, 250 Periods	
Environmental operational	Acoustic noise: Approximately 60dBA sound pressure at 23°C (typical) Temperature: 0 to 45°C (tested for extended operation up to 50°C) Humidity: 5 to 90% at 25°C non-condensing	Limits for harmonic current measurement (EN 61000-3-2), Product Class D	
Environmental storage	Temperature: -20 to 65°C Humidity: 5 to 90% at 25°C non-condensing	Limitation of voltage changes, voltage fluctuations and flicker (EN 61000-3-3)	
		Safety	Safety of information technology equipment (EN 60950) CE Marked
		Electrical Ratings	Industrial N+1 redundant design power supply Voltage: 90 ~ 264 VAC full range Frequency: 47 ~ 63Hz Inrush current: 40A / 60A (115 / 230VAC) PSU maximum secondary loading: 800W Active PFC EMI noise filter Over power/voltage/current protection Short circuit protection

¹ Usable storage capacity will be less.

² All lanes available only with dual CPU