

# Impact-E 210



## Features

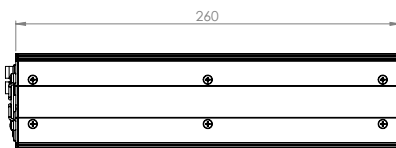
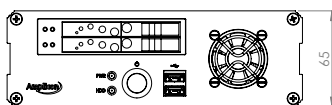
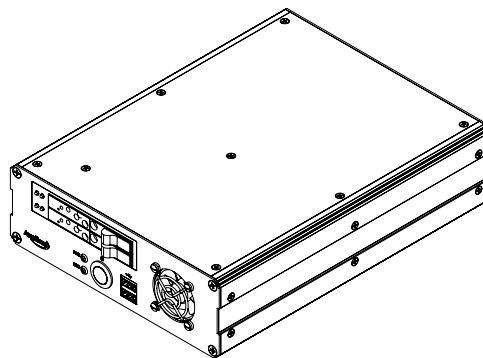
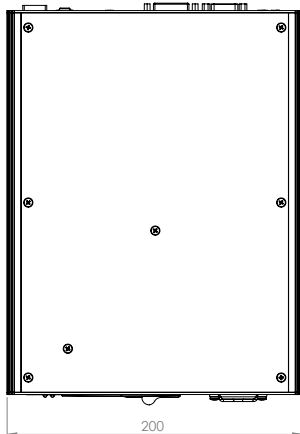
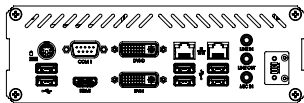
The Impact-E 210 is a compact, low power embedded system, utilising Intel® Sandy Bridge & Ivy Bridge processing technology. This achieves high processing power with minimal power draw.

The Impact-E 210 is assembled and tested within a lean manufacturing environment under ISO 9001.

Key features:

- Low power consumption
- Mobile Sandy Bridge & Ivy Bridge CPU
- Compact design
- Rich I/O
- 3 years warranty

## Dimensions



# Impact-E 210

The information is believed to be accurate. However Amplicon Liveline Limited accepts no responsibility for any problems caused by errors and omissions. Specifications are subject to change without notice.

## Specifications

Hardware specifications	CPU: Intel® Mobile Sandy Bridge & Ivy Bridge Chipset: QM77 Express Memory: 2GB DDR3 SODIMM dual voltage (max: 16GB) LAN: Dual Intel® GbE LAN with iAMT v8.0	Power Input	
BIOS	AMI 64Mbit SPI BIOS	Mechanical	
Storage	2 x 2.5" SSD or HDD - removable	Mounting Options	Wall mounting
System Expansion	N/A	Environmental Operation	Acoustic noise: Near silent operation Operating Temperature: 0° ~ 50°C (with HDD) Humidity: 5% to 90% @ 25°C
System Architecture	Mini-ITX industrial mainboard	Environmental Storage	Temperature: -20° ~ 70°C
Support O/S	Windows XP/7/8/8.1/10 32 & 64-bit Linux support	Electromagnetic Compliance (EMC)	EN 55022 Class A EN 55024  Electrostatic discharge immunity test (EN61000-4-2) Enclosure port ±4kV Contact, applied to enclosure port ±8kV Air, applied to enclosure port  Radiated, radio-frequency, electromagnetic field immunity test (EN61000-4-3)  Enclosure port 80-1000MHz, 10 V/m (RMS, no modulation) 80% Modulation with 1kHz Sine wave  Electrical fast transient/burst immunity test (EN61000-4-4) Power port inc. protective earth Severity ±0.5kV  Immunity to conducted disturbances induced by radio frequency fields (EN61000-4-6)  Power port inc. protective earth via CDN M3 0.15-80MHz, 10 V/m (no modulation) 80% Modulation with 1kHz Sine wave, applied via CDN  Amplicon own a fully equipped EMC facility and can provide many additional tests to meet your requirements.
General Interfaces	Front: 2 x USB 2.0 Rear: 4 x USB 3.0 2 x USB 2.0 PS/2 Dual port 1 x DB9 (RS232/422/485) 1 x HDMI 1 x DVI-D 1 x DVI-I/VGA 2 x GbE LAN Line In/Line Out/Mic In		
Display	Intel® HD Graphics 4000  HDMI: 1920 x 1200 @ 60Hz DVI-D: 1920 x 1200 @ 60Hz DVI-I/VGA: 2048 x 1536 @ 75Hz  Supports Direct X11, OpenGL 3.0		
LED and Switches	Power On (PC on LED) Hard drive access (LED) ATX System On/Off anti-vandal switch		