

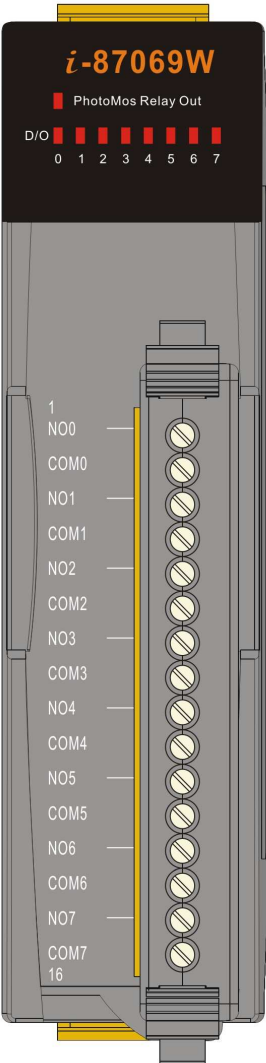
# I-87069W Hardware User Guide Ver 1.0

*Last Modified 12/19/2006*

## *I-87069W Specifications*

<b>Relay Output Module</b>	
<b><i>Output Channels</i></b>	<b><i>8 channels</i></b>
<b><i>Load Voltage</i></b>	<b><i>350V max AC/DC</i></b>
<b><i>Load Current</i></b>	<b><i>0.13A</i></b>
<b><i>Isolation</i></b>	<b><i>5000 Vrms</i></b>
<b><i>Turn Off Time</i></b>	<b><i>0.05 ms type</i></b>
<b><i>Turn On Time</i></b>	<b><i>0.7 ms type</i></b>
<b><i>4KV ESD Protection</i></b>	<b><i>Yes, contact for each terminal</i></b>
<b><i>LED Display</i></b>	<b><i>1 LED as Power indicator</i></b> <b><i>8 LEDs as DO indicators</i></b>
<b><i>Power Consumption</i></b>	<b><i>0.5W</i></b>



# I-87069W Pin Assignment



The diagram shows the I-87069W relay module with a terminal block on the left. The terminal block is labeled with terminal numbers 1 through 16. The assignments are as follows:

Terminal No.	Pin Assignment Name
01	NO0
02	COM0
03	NO1
04	COM1
05	NO2
06	COM2
07	NO3
08	COM3
09	NO4
10	COM4
11	NO5
12	COM5
13	NO6
14	COM6
15	NO7
16	COM7

## I-87069W Wire Connection Type

Output Type	ON State LED ON Readback as 1	OFF State LED OFF Readback as 0
From A Relay Contact	Relay ON	Relay Off
		

# I-87069W Internal I/O Structure

