

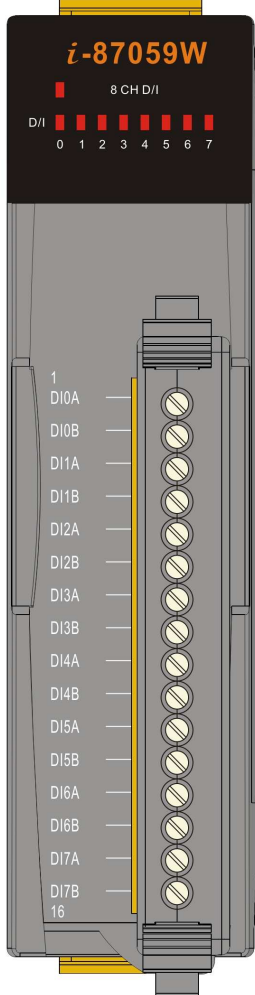
I-87059W Hardware User Guide *Ver 1.0*

Last Modified 12/18/2007

I-87059W Specifications

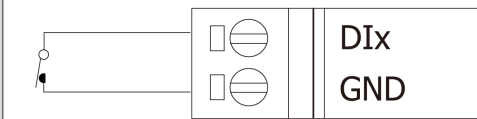
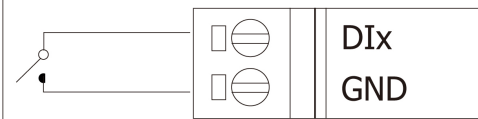
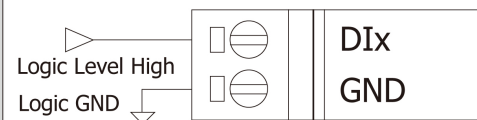
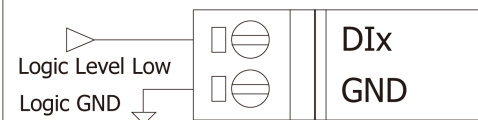
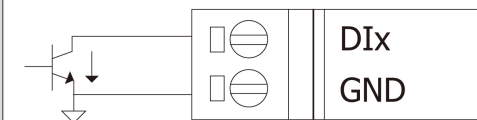
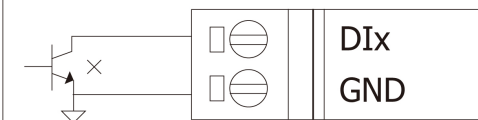
| AC Digital Input Module | |
|----------------------------------|--|
| <i>Input Channel</i> | <i>8 differential</i> |
| <i>Operating Voltage</i> | <i>10 ~ 50VAC Peak</i> |
| ON Voltage Level | <i>10VAC min.</i> |
| <i>OFF Voltage Level</i> | <i>3.0VAC max.</i> |
| <i>AC Frequency</i> | <i>47~400Hz (>45Hz min.)</i> |
| <i>Input Impedance</i> | <i>10K Ohms, 1W</i> |
| <i>Isolation Voltage</i> | <i>3750 Vdc</i> |
| <i>4KV ESD Protection</i> | <i>Yes</i> |
| LED Display | 1 LED as Power/ Communication Indicator 8 LED as Digital Input Indicators |
| <i>Power Consumption</i> | <i>0.3W max.</i> |

I-87059W Pin Assignment



| Terminal No. | Pin Assignment Name |
|--------------|---------------------|
| 01 | DI0A |
| 02 | DI0B |
| 03 | DI1A |
| 04 | DI1B |
| 05 | DI2A |
| 06 | DI2B |
| 07 | DI3A |
| 08 | DI3B |
| 09 | DI4A |
| 10 | DI4B |
| 11 | DI5A |
| 12 | DI5B |
| 13 | DI6A |
| 14 | DI6B |
| 15 | DI7A |
| 16 | DI7B |

I-87059W Wire Connection Type

| Input Type | ON State LED ON Readback as 1 | OFF State LED OFF Readback as 0 |
|----------------|--|---|
| Relay Contact | Relay ON | Relay Off |
| |  |  |
| TTL/CMOS Logic | Voltage < 10V | Voltage > 3V |
| |  |  |
| Open Collector | Open Collector On | Open Collector Off |
| |  |  |

I-87059W Internal I/O Structure

