

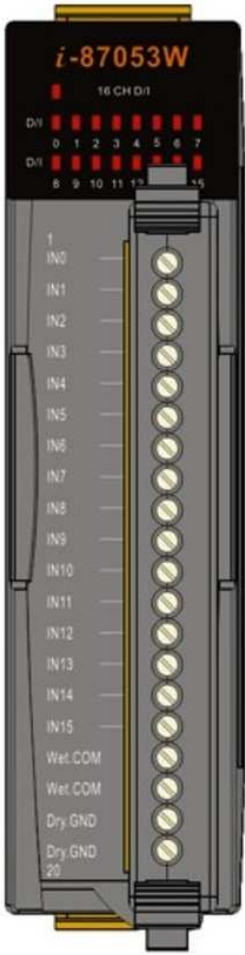
I-87053W Hardware User Guide Ver 1.1

Last Modified 28/04/2008

I-87053W Specifications

Digital input Module	
Input Channels	16(Sink/Source)
Input Type	Isolated differential digital input
ON State	+3.5V~30V
OFF State	+1V Max.
Input Impedance	3K Ohms, 0.25W
Isolation Voltage	3750 Vrms
ESD 4KV Protection	Yes, contact for each terminal
LED Display	1 LED as Power/ Communication Indicator 16 LED as Digital Input Indicators
Power Consumption	0.6W max.

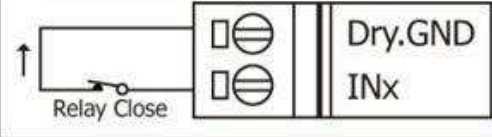
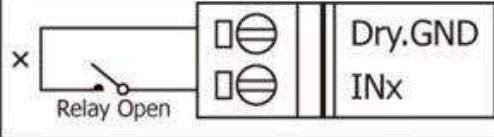
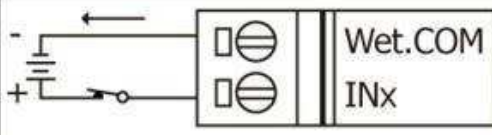
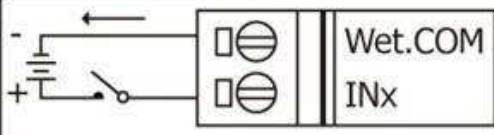
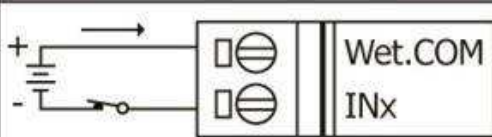
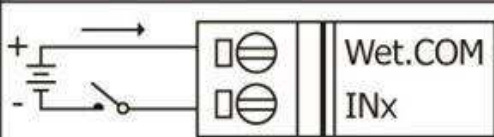
I-87053W Pin Assignment



The diagram shows the I-87053W terminal block with 20 pins. The top section is labeled 'i-87053W' and '16 CH DIN'. Below this, there are two rows of red LEDs labeled 'DIN' with numbers 0-7 and 8-15. The main terminal block has 20 pins, with labels on the left side: 1 IN0, IN1, IN2, IN3, IN4, IN5, IN6, IN7, IN8, IN9, IN10, IN11, IN12, IN13, IN14, IN15, Wet.COM, Wet.COM, Dry.GND, Dry.GND, and 20.

Terminal No.	Pin Assignment Name
01	IN0
02	IN1
03	IN2
04	IN3
05	IN4
06	IN5
07	IN6
08	IN7
09	IN8
10	IN9
11	IN10
12	IN11
13	IN12
14	IN13
15	IN14
16	IN15
17	Wet.COM
18	Wet.COM
19	Dry.GND
20	Dry.GND

I-87053W Wire Connection Type

Input Type	On State, LED On Readback as 1	Off State, LED Off Readback as 0
Dry Contact	Relay On	Relay Off
		
Wet Contact (Source)	Voltage > 3.5V	Voltage < 1V
		
Wet Contact (Sink)	Open Collector On	Open Collector Off
		

I-87053W Internal I/O Structure

